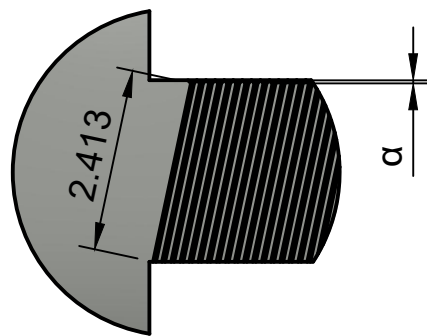
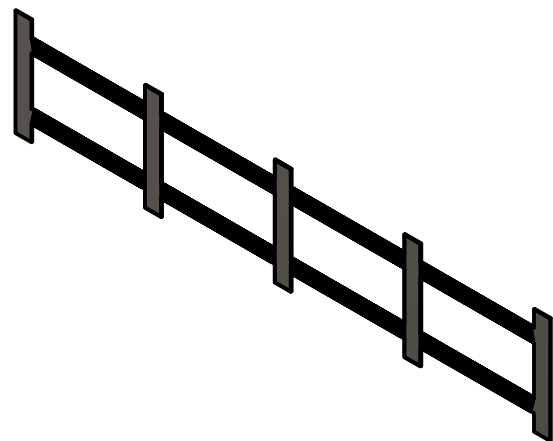


DETAIL A (10:1)



DETAIL B (10:1)



Version 1.2 (10/17/2023)					
SYMBOL	DESCRIPTION	VALUE			
α	PORE WIDTH	0.040 mm			
h	TAB HEIGHT	3.000 mm			
h'	TAB WIDTH	3.000 mm			
Δ	DISTANCE BETWEEN TABS	21.250 mm			
τ	LAMINA THICKNESS	0.120 mm			
φ	PORE BIAS ANGLE	12.0 deg			
T	LAMINA HEIGHT	2.400 mm			
L	ALMCP LENGTH	100.000 mm			
H	ALMCP HEIGHT	19.800 mm			
Created by Janaye Thomas	Date 10/17/2023	THE UNIVERSITY OF CHICAGO			
Tolerances X \pm .5 .X \pm .1 .XX \pm .02 .XXX \pm .005			Amplifier LMCP (ALMCP)		
DWG No.	1.2	Rev.		Date of issue	Sheet