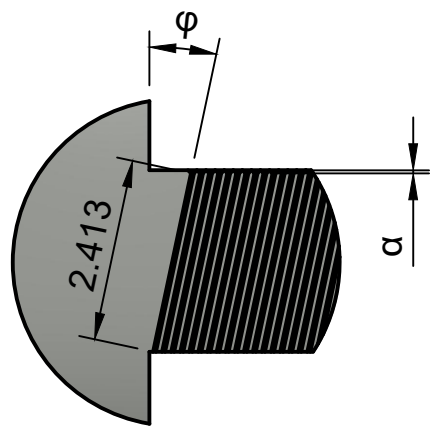
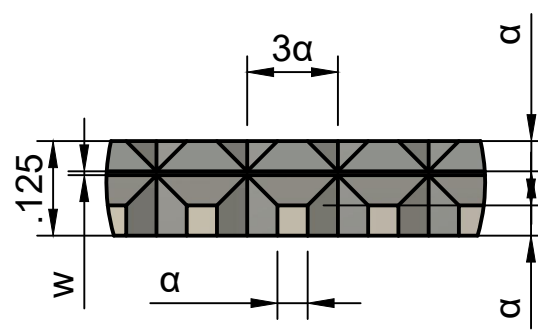


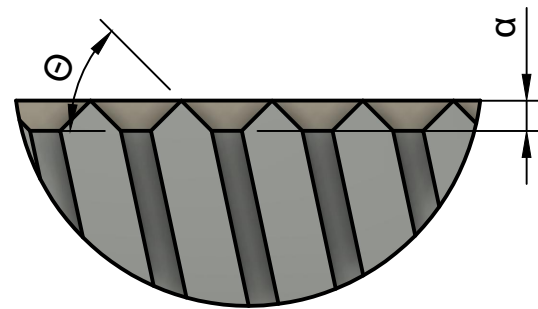
DETAIL A (10:1)



DETAIL B (10:1)



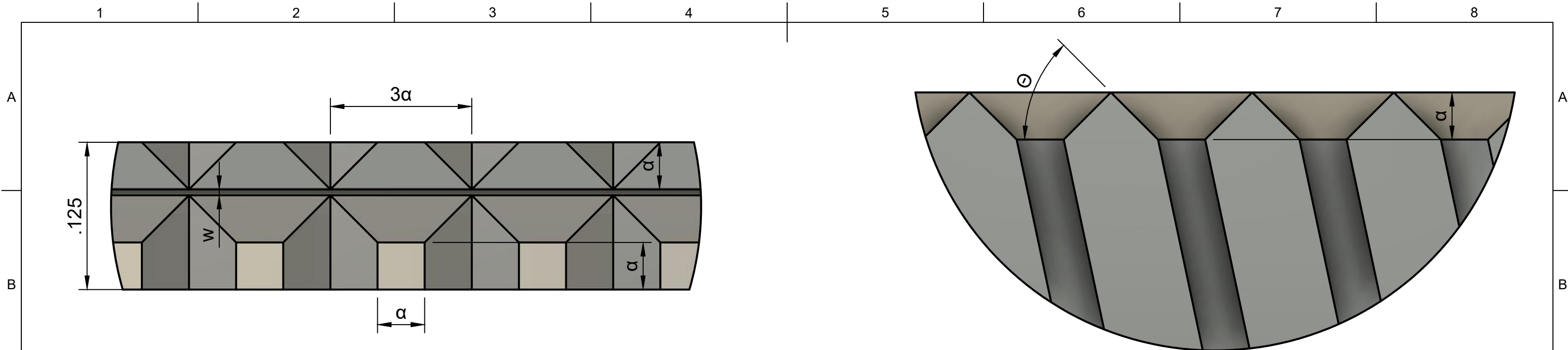
DETAIL C (100:1)



DETAIL D (100:1)

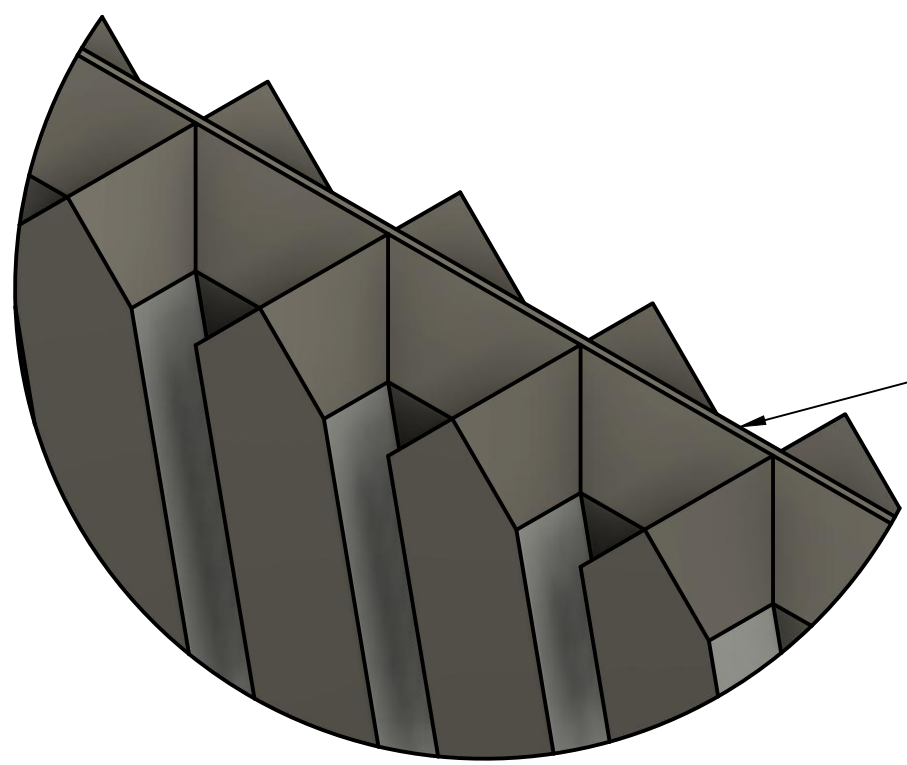
Version 1.1 (10/17/2023)		
SYMBOL	DESCRIPTION	VALUE
$\alpha$	PORE WIDTH	0.040 mm
$h$	TAB HEIGHT	3.000 mm
$h'$	TAB WIDTH	3.000 mm
$\Delta$	DISTANCE BETWEEN TABS	21.250 mm
$\Theta$	FUNNEL ANGLE	45.0 deg
$\phi$	PORE BIAS ANGLE	12.0 deg
$T$	LAMINA HEIGHT	2.400 mm
$w$	WIDTH OF TRACE	0.005 mm
$L$	ALMCP LENGTH	100.000 mm
$H$	ALMCP HEIGHT	19.800 mm

Created by Janaye Thomas	Date 10/17/2023	THE UNIVERSITY OF CHICAGO	
Tolerances X $\pm$ .5 .X $\pm$ .1 .XX $\pm$ .02 .XXX $\pm$ .005		Amplifier LMCP (ALMCP)	
DWG No. 1	Rev.	Date of issue	Sheet 1/2



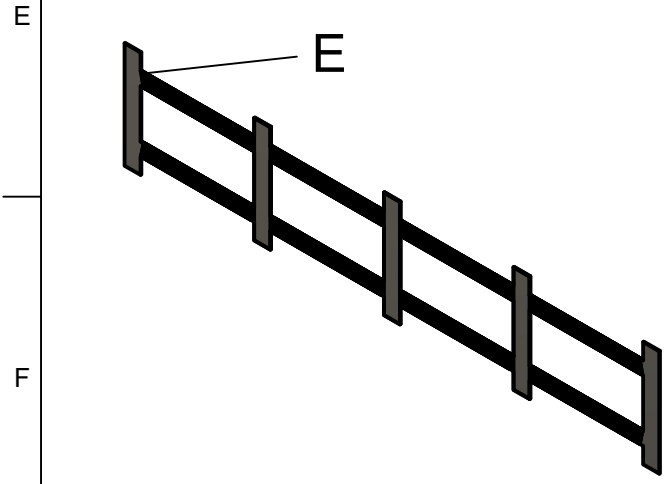
DETAIL C (300:1)

DETAIL D (300:1)



DETAIL E (300:1)

Metallic Trace



Notes:  
Material TBD

Created by Janaye Thomas	Date 10/17/2023	THE UNIVERSITY OF CHICAGO			
Tolerances		Amplifier LMCP (ALMCP)			
DWG No. 1	Rev.	Date of issue	Sheet	2/2	