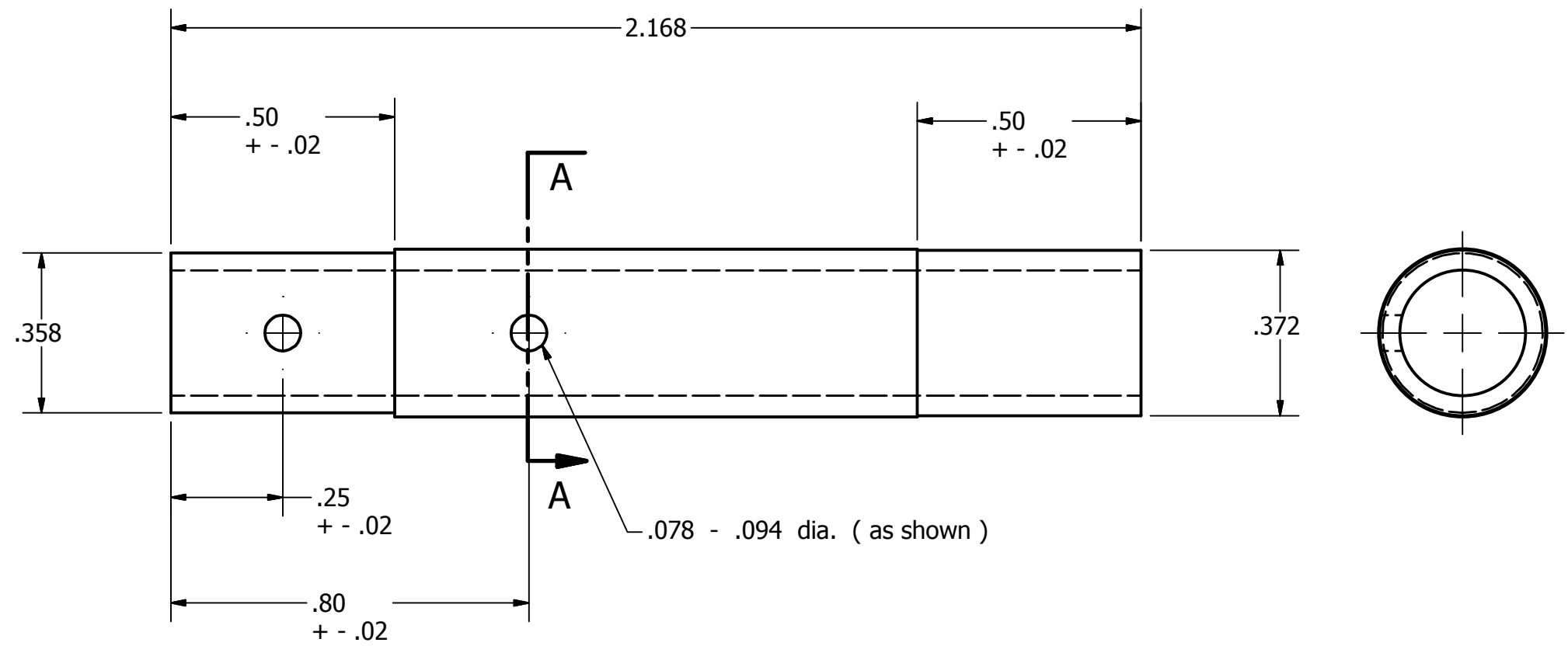
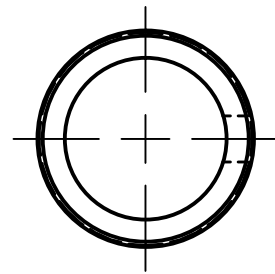


Section A - A



Material - .375 OD X .05 wall SS T-304 (supplied)

Tol. - + - .005" except as noted

4 req'd.

DRAWN rnorthrop	8/23/2016	University of Chicago		
CHECKED		TITLE		
QA		Fixture Standoff for Ceramic Tile		
MFG		SIZE	DWG NO	REV
APPROVED		B	CeramicTileFixtureStandoff	
		SCALE	SHEET 1 OF 1	