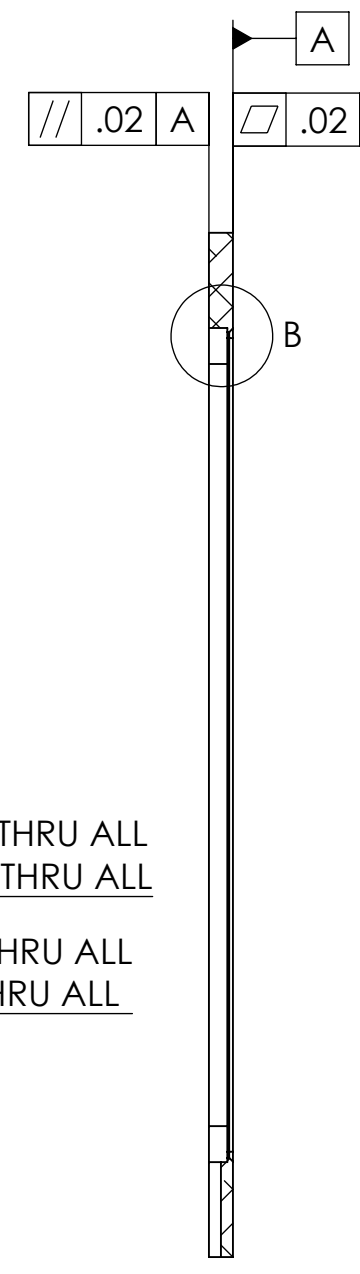
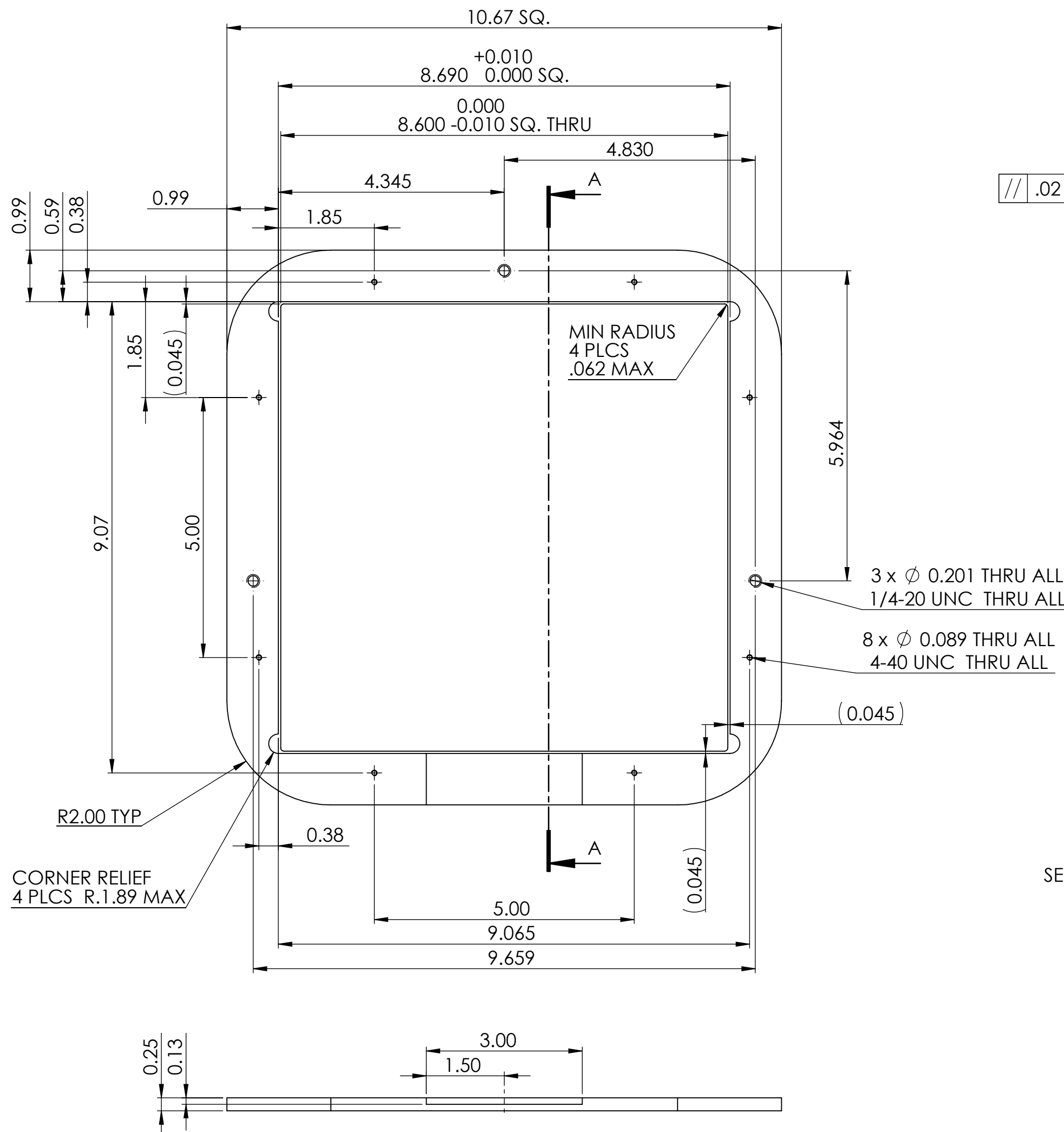
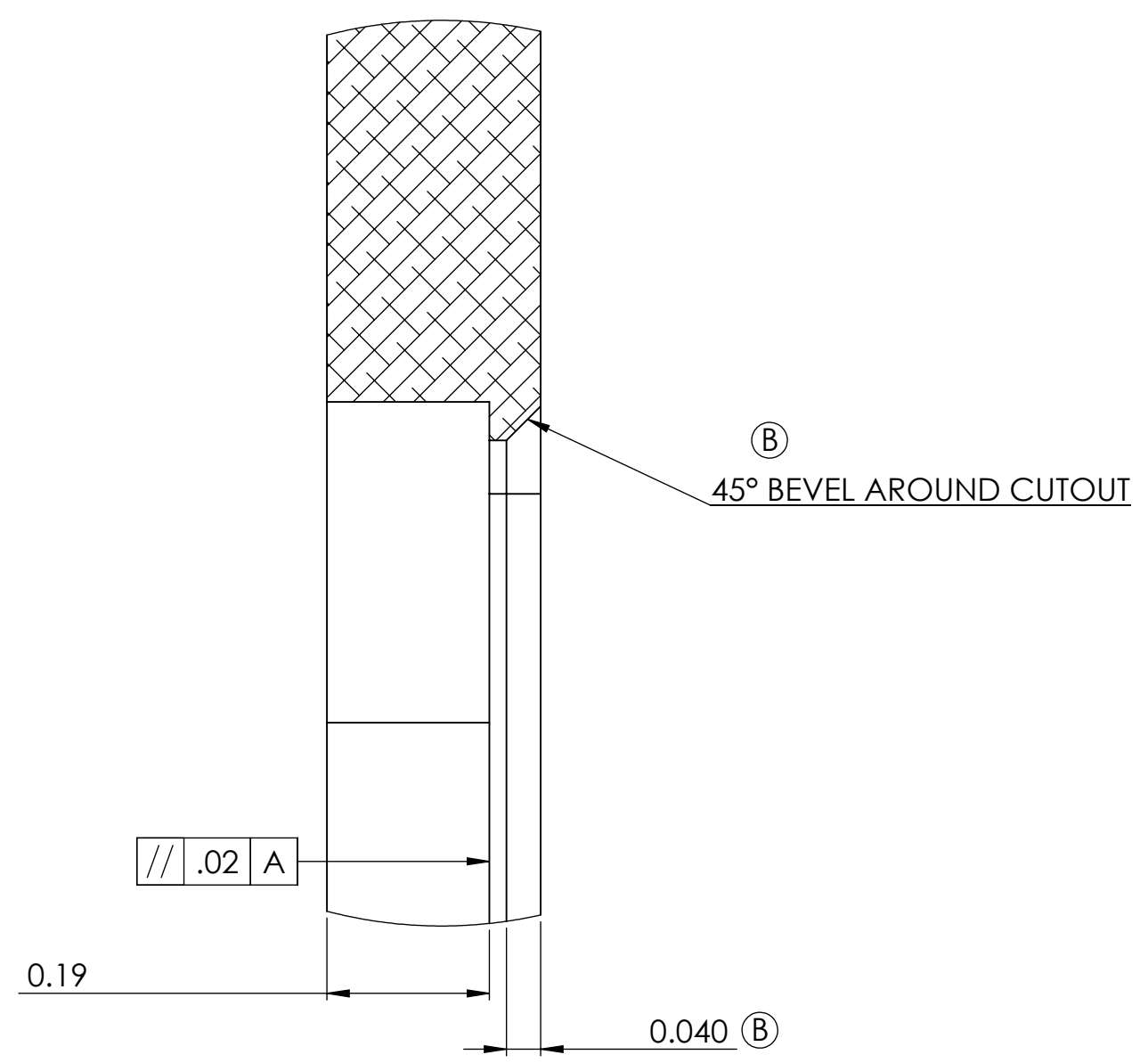
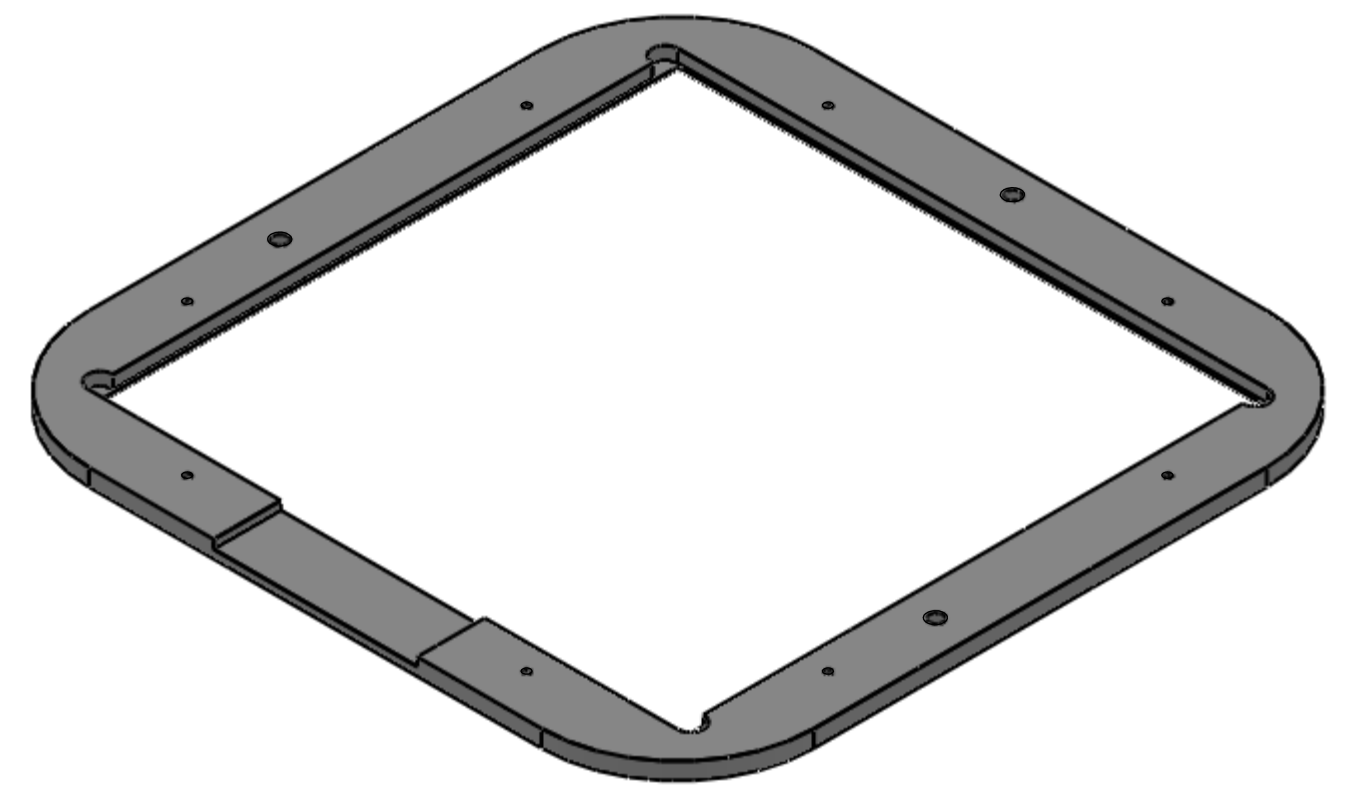


REVISIONS SEE E.C.O.	
REV.	DATE
A	RELEASE
B	7/17/2015



SECTION A-A



DETAIL B  
SCALE 5:1

NOTES  
1. Dimensions in inches.

MATERIAL: Aluminum, 6061-T6	TOLERANCES UNLESS SPECIFIED	SCALE: 1:2	DATE: 02/03/16	 294 SOUTHBRIDGE ROAD ** CHARLTON, MA ** 01507
SURFACE FINISH: ✓ OPTICAL FINISH	ANGLES ±1°	DRAWN: CAC	ENG: .	
SCRATCH/DIG: FLATNESS: ≤	X / X	ENG: .	Q.A.: .	TITLE: Evaporator Planetary, Insert Holder For Univ. of Chicago Sidewall
REMOVE BURRS / BREAK EDGES	.XX ±.01	ENG: .	PROD: .	DRAWING / PART NO. FCRD-07188
	.XXX ±.005	ENG: .		REV. B
	.XXXX	ENG: .		FILE NUMBER FCRD-07188-A
	.X	ENG: .		DATE DRAWING ISSUED
	.XX	ENG: .		SHEET 1 OF 1
		THIS DESIGN AND DRAWING IS THE PROPERTY OF INCOM, INC. ITS USE OR REPRODUCTION WITHOUT INCOM'S WRITTEN CONSENT IS PROHIBITED.		DO NOT SCALE DRAWING