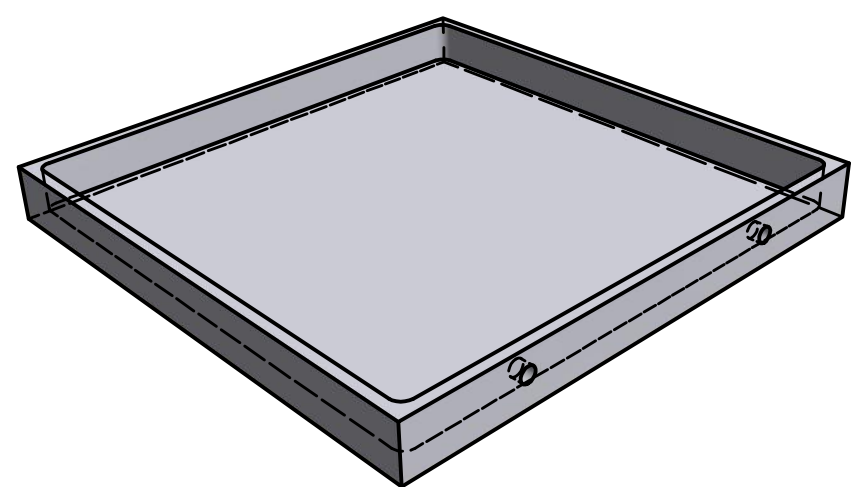
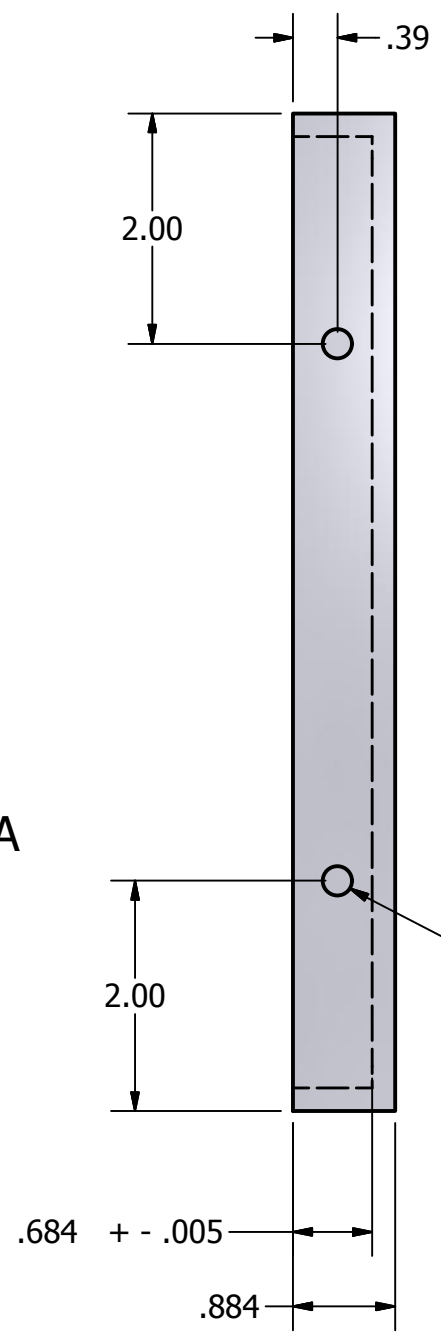
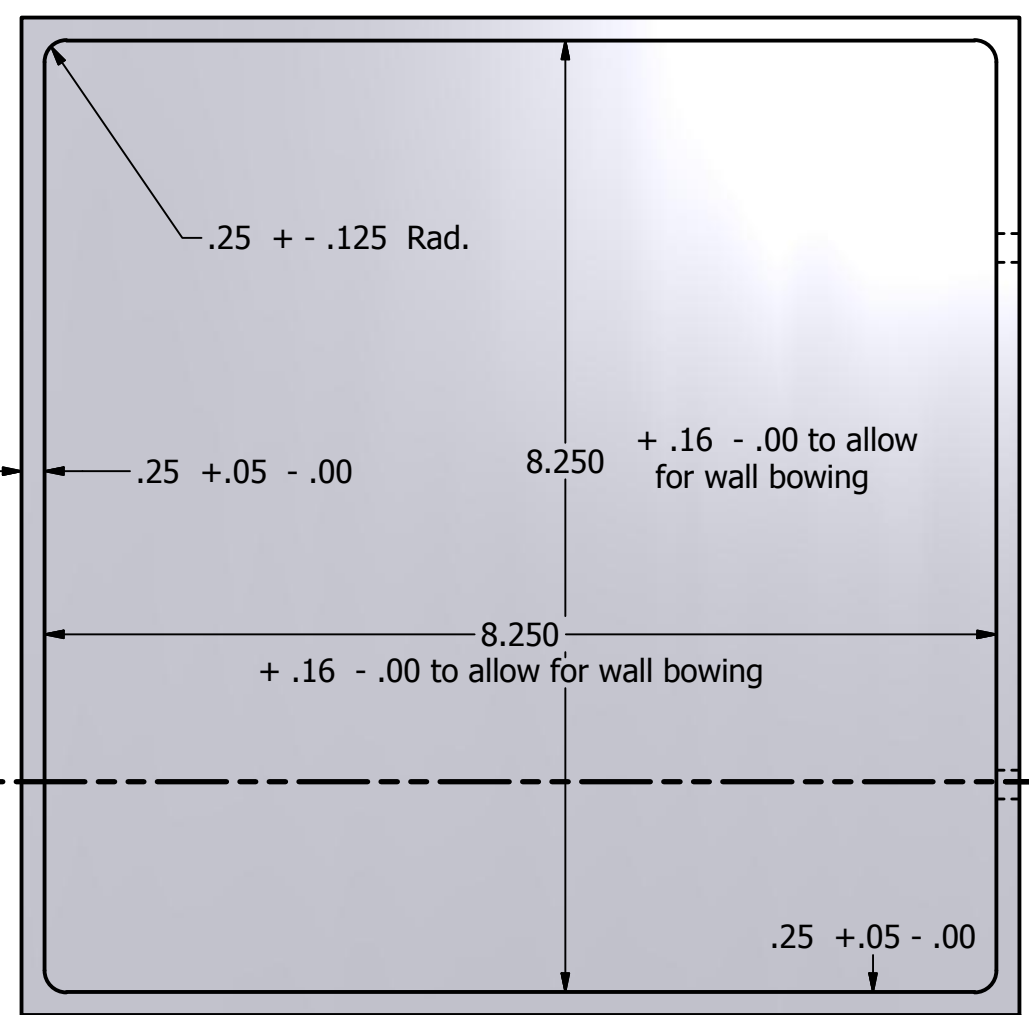
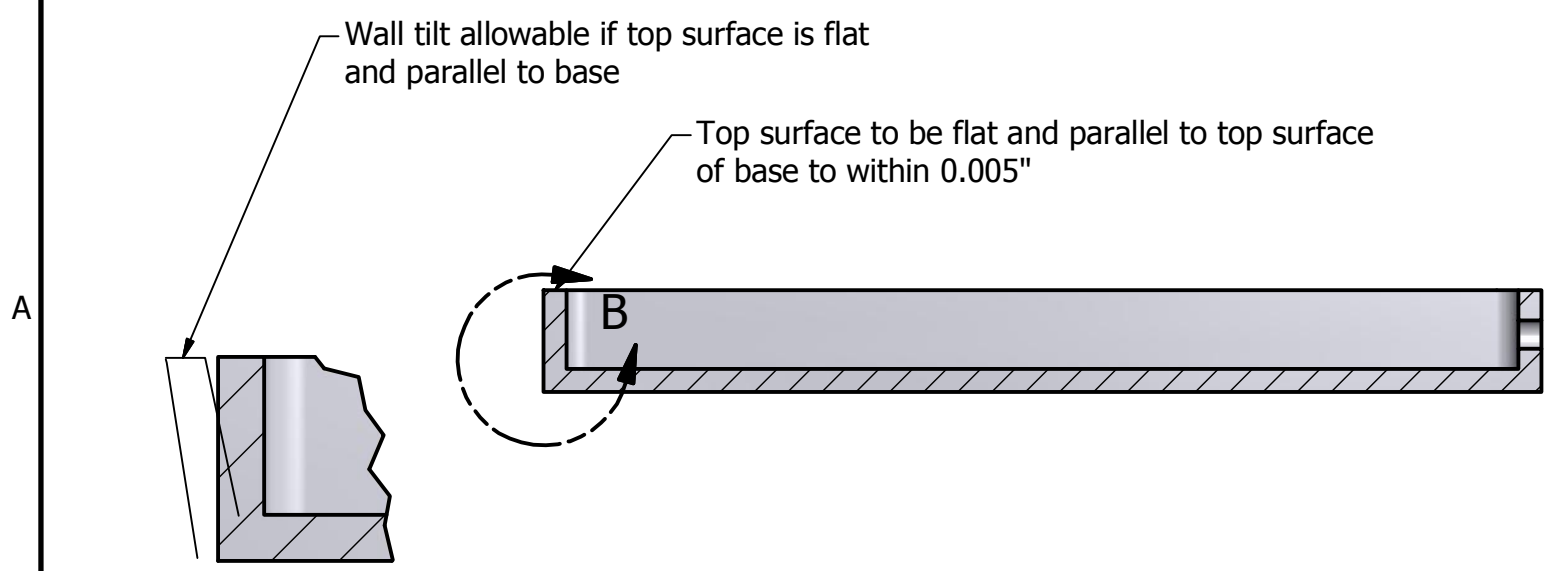


Rev.A tol.changed from .004 to .005 7.27.15 RN



Notes-

1. Tile Base to be made of full-fired alumina 96% pure or higher.
2. Tile Base to be hermetic in helium leak-test at UC to $5 \times 10E - 10$ cc/sec.



DRAWN rnorthrop	7/2/2015	University of Chicago		
CHECKED				
QA		TITLE Green Trim Ceramic Tile Base Relaxed Fit		
MFG		SIZE B	DWG NO TypeCTBArelaxedFit	REV A
APPROVED		SCALE	SHEET 1 OF 1	