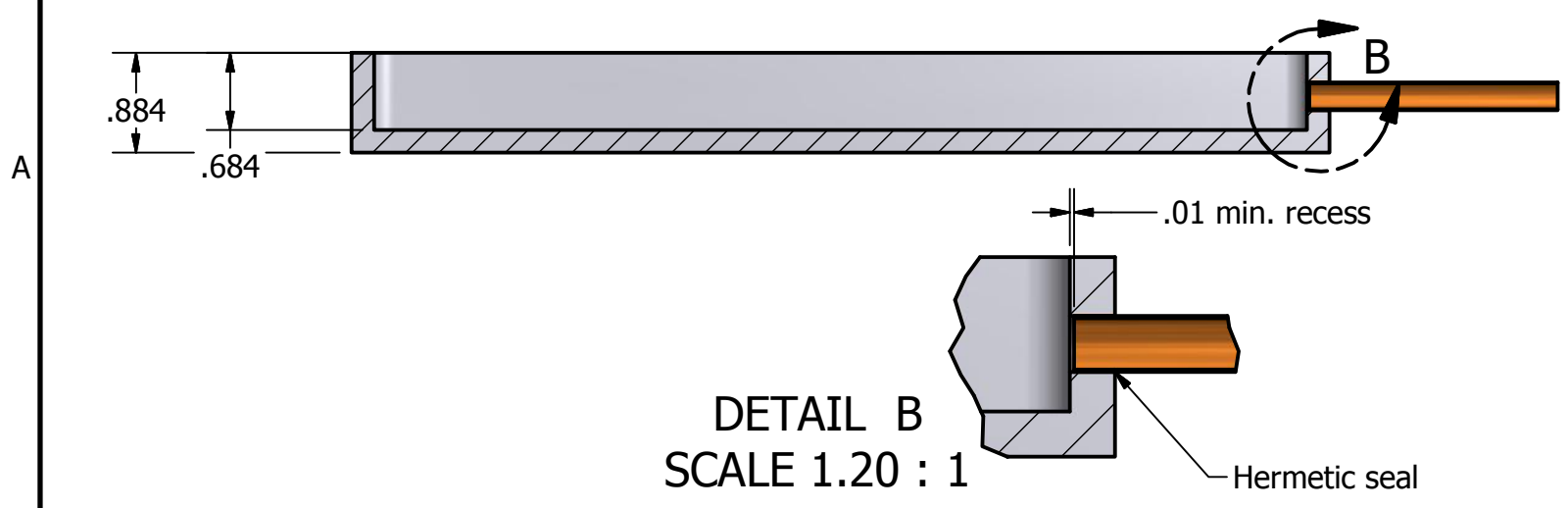


Notes-

1. Tile base assembly consists of the tile base, two OFHC copper tubes, and two copper through pins.
2. Tile base as specified in Univ. of Chicago print Dwg # CeramTB111015.
3. The copper tube must be OFHC copper tempered appropriately to be hermetically sealed with a pinch-off cold weld.
4. Tile Base Assembly after brazing tubes and pins to be hermetic in helium leak-test at UC to  $5 \times 10E - 10$ cc/sec.



DRAWN rnorthrop	8/10/2015	University of Chicago		
CHECKED				
QA		TITLE Type C - Green Trim Ceramic Tile Base Assembly		
MFG				
APPROVED				
		SIZE B	DWG NO CeramTBAssm081015	REV
		SCALE	SHEET 1 OF 1	