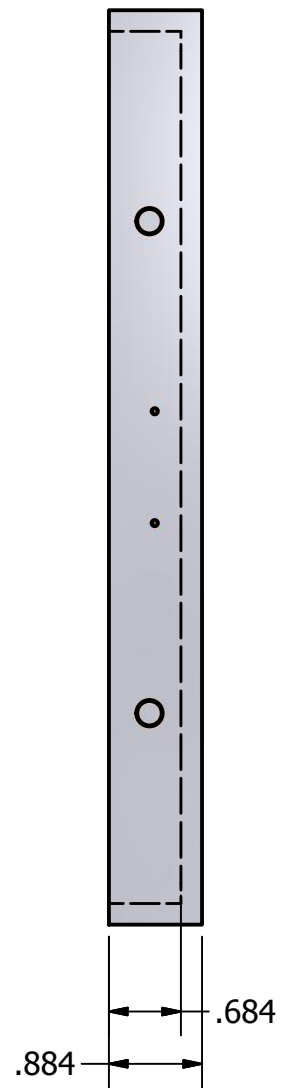
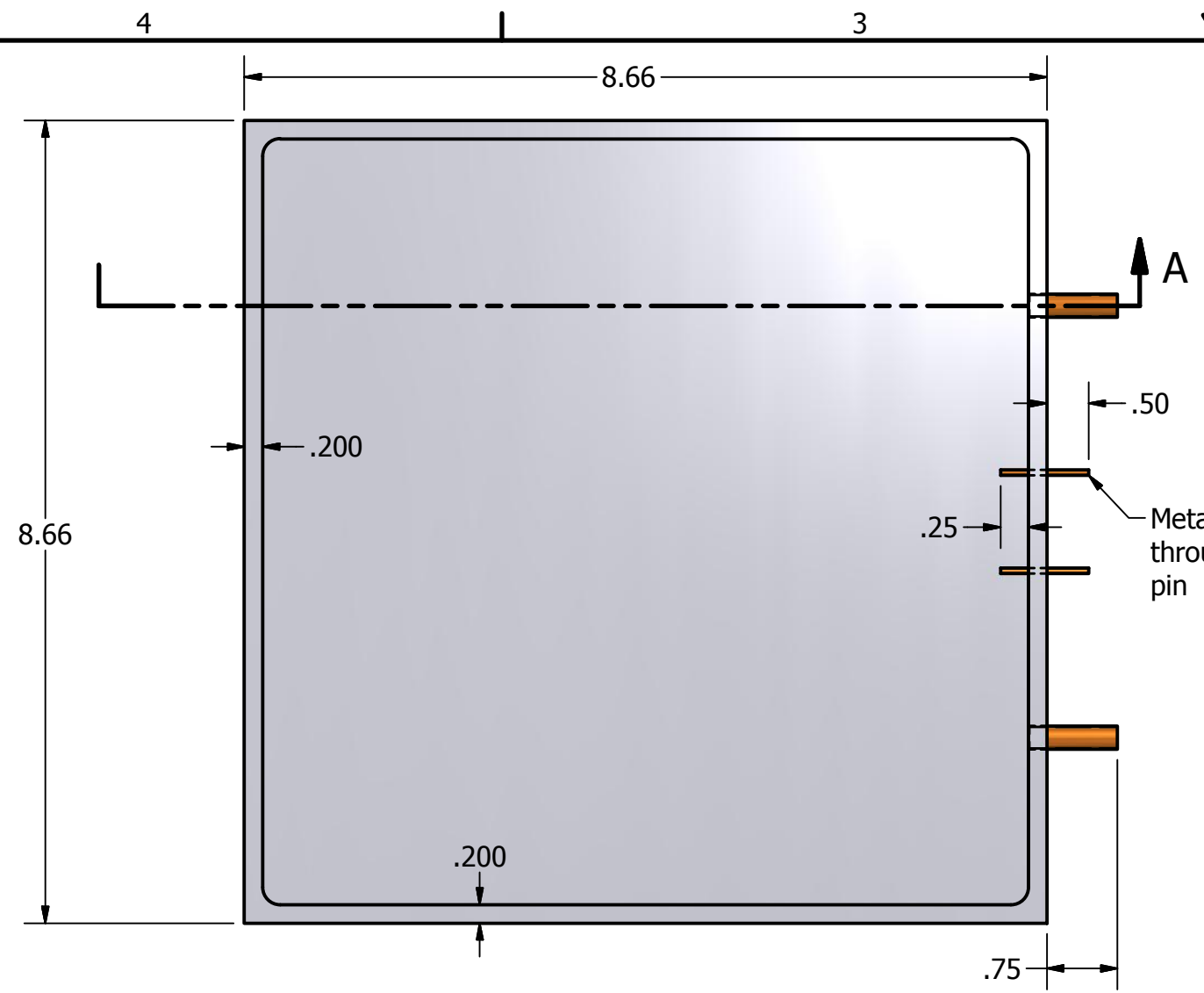
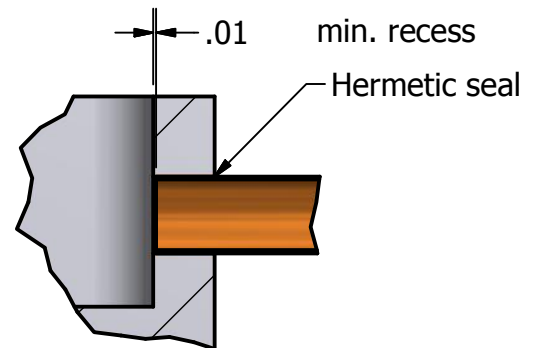
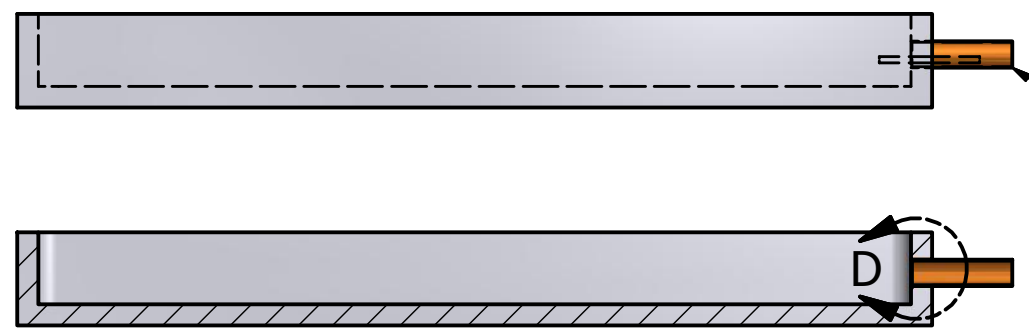


Notes-

1. Tile Base Assembly consists of the Tile Base, two Kovar tubes and two through pins.
2. Tile Base as specified in Univ. of Chicago print Dwg # Green Trim TBA
3. Tile Base Assembly after brazing of tubes and pins to be hermetic in helium leak-test at UC to 5×10^{-10} cc/sec.



.25"OD Dia. X .010 wall Kovar tube



DRAWN rnorthrop	7/9/2015	University of Chicago		
CHECKED		TITLE		
QA		Green Trim Ceramic Tile Base Assembly		
MFG		SIZE	DWG NO	REV
APPROVED		B	GreenTrimTileBaseAssm	A
		SCALE	SHEET 1 OF 1	